



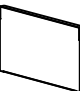
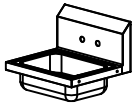

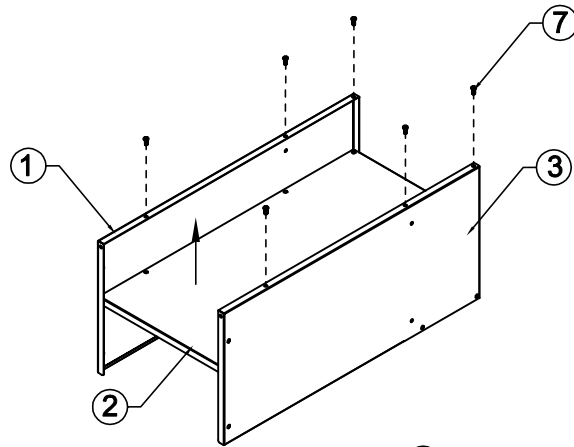


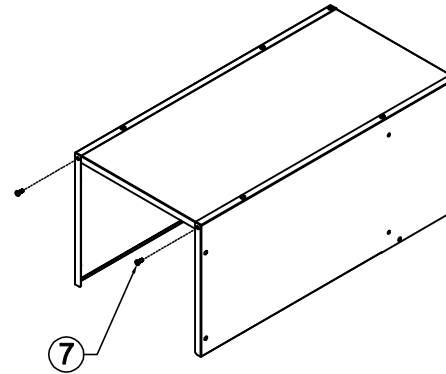
Assembly Procedure

Parts List	
(1) 1pc 	(2) 1pc 
(3) 1pc 	(4) 1pc 
(5) 1pc 	(6) 1pc 
(7) 20pcs 	

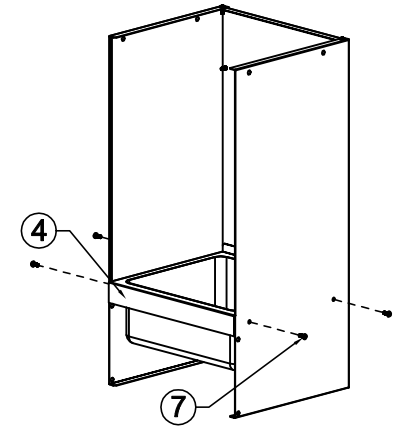
Step1



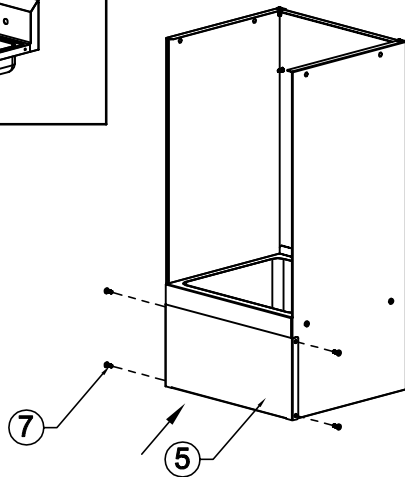
Step2



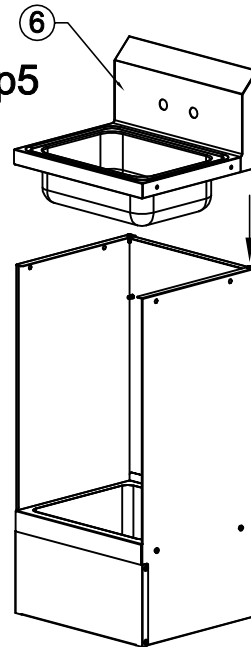
Step3



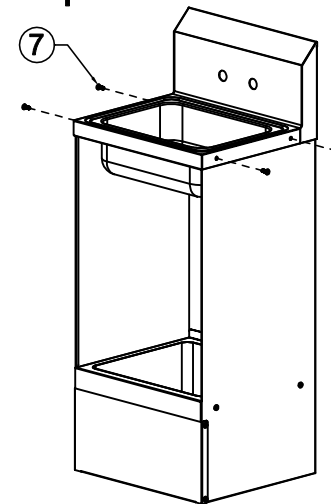
Step4



Step5



Step6



Final Assembly

